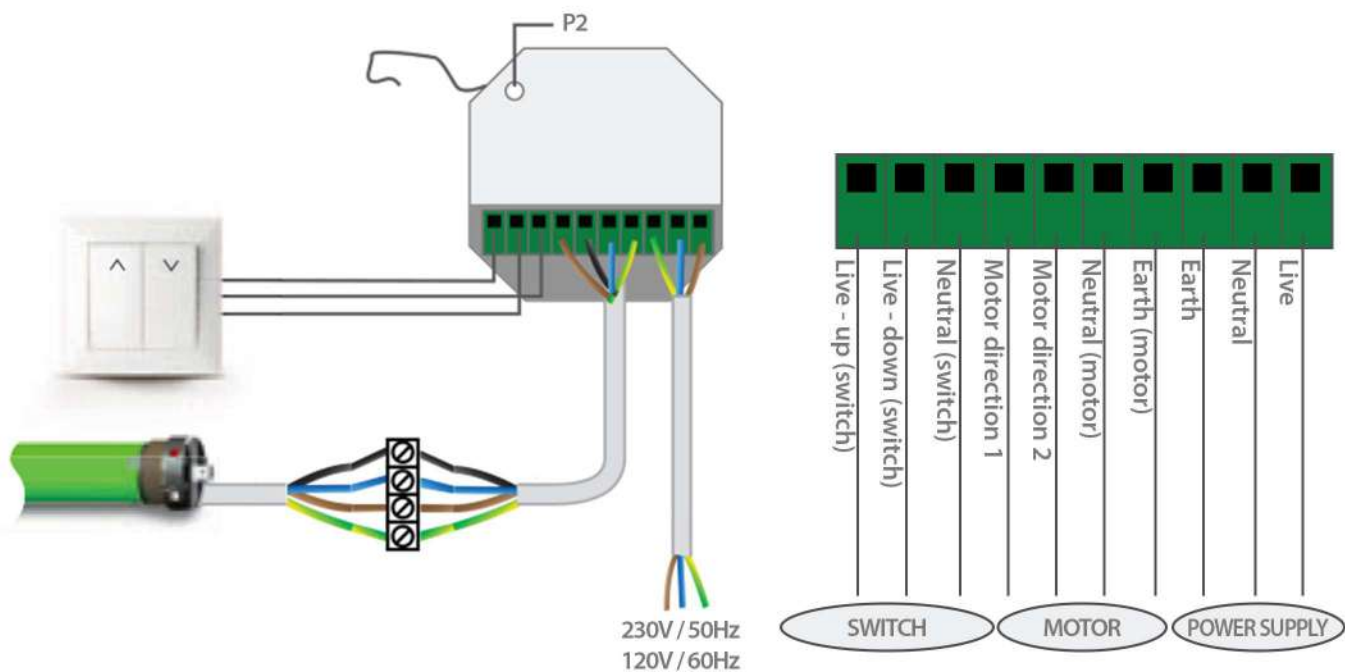


1 CONNECTION

Disconnect the power supply to the motor affected by the programming before you start.



2 INSTALLATION

- a** Reconnect the motor to the power supply. A beep follows and the shutter curtain makes an up and down movement.
Note : If nothing happens, make sure the motor is connected properly.
- b** Press either the **P2** button or the **Set up** button on your AvosDim remote control or timer. A beep follows. After about five seconds, press it again, another beep follows.
- c** Press the **U** button on your AvosDim remote control or timer. A beep follows. After about five seconds, press it again, another beep follows.

3 BENEFITS OF RECEIVER 005212

- Control your wired switch motors with a remote control.
- Invisible, the radio receiver is installed behind the switch.
- Compatible with all AvosDim remote controls and clocks.

4 TROUBLESHOOTING

- There is no beep when connecting the motor :
As soon as the motor is supplied with power, a beep sounds. Use a current tester to make sure that the motor has been properly connected to power. If this is the case and the motor still does not beep, please contact the seller.
- Problems with the connection :
We recommend using a rigid cable (1.5 mm²). When using a flexible cable, make sure that the cables are sufficiently stripped and sturdy.

5 ADD A REMOTE CONTROL

Press button **P2** on the remote control once. Repeat this process twice. A beep sounds for five seconds.
The remote control has been added successfully.

6 RESETTING THE RECEIVER

Press the programming button **P2** on the remote control once. Now press the **Up** button on the remote control once.
Press the **P2** button on the remote control again.
A beep sounds for three seconds. The remote control is no longer connected to the receiver.

7 REMOVE A REMOTE CONTROL

Press the programming button **P2** on the remote control once. Now press the **Stop** button on the remote control once.
Press the **P2** button on the remote control again.
A beep sounds for four seconds. The remote control is now separated from the radio receiver.