

MADE-TO-MEASURE DOMESTIC ROLLER SHUTTER - STRAP COILER

Dear Customer,

Thank you for purchasing one of our roller shutters. We hope you find the installation process smooth and the product to your expectations.

Important: Please follow the instructions as closely as possible to ensure correct installation.

Our products are guaranteed on any manufacturing defect - however, we can not be held responsible for errors in installation.

We recommend assembling your shutter on an available flat surface before fixing in place if possible.

This manual is made up of five sections:

- Shutter Installation - page 2
- Strap Coiler Set Up - page 8
- Installation FAQ - page 10

This manual was made using a **left-sided control** (yours may differ) - please adapt according to your installation.



Possible installations

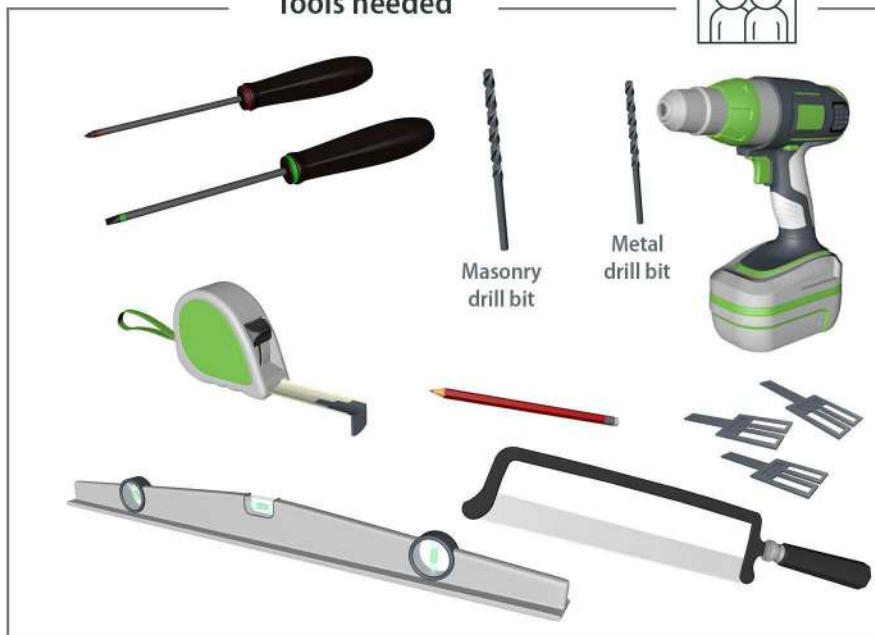
Recess fit A: Outward roller



Recess fit B: Inward roller



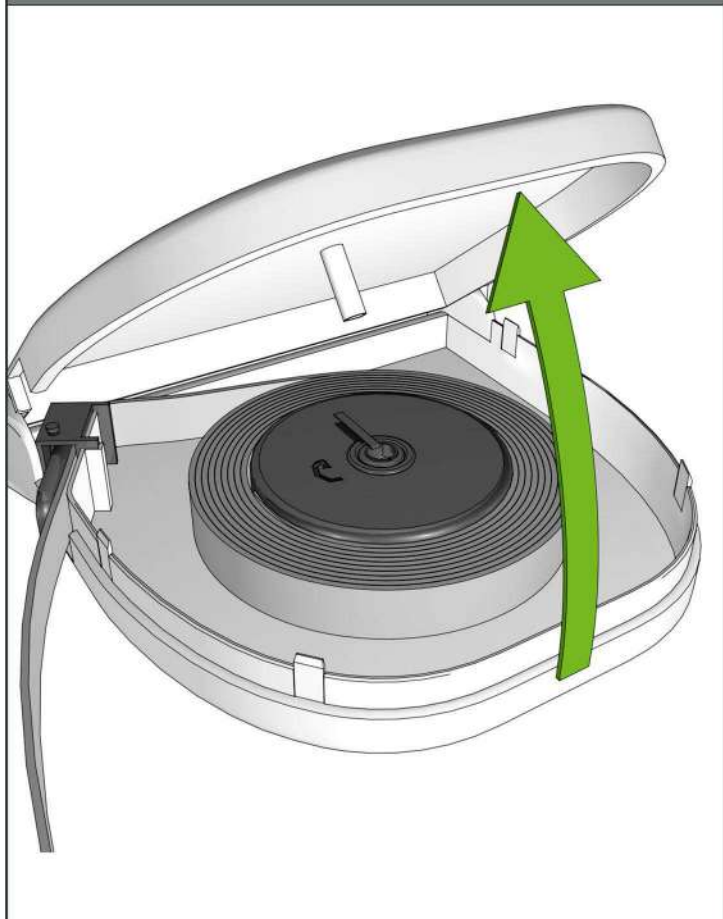
Tools needed



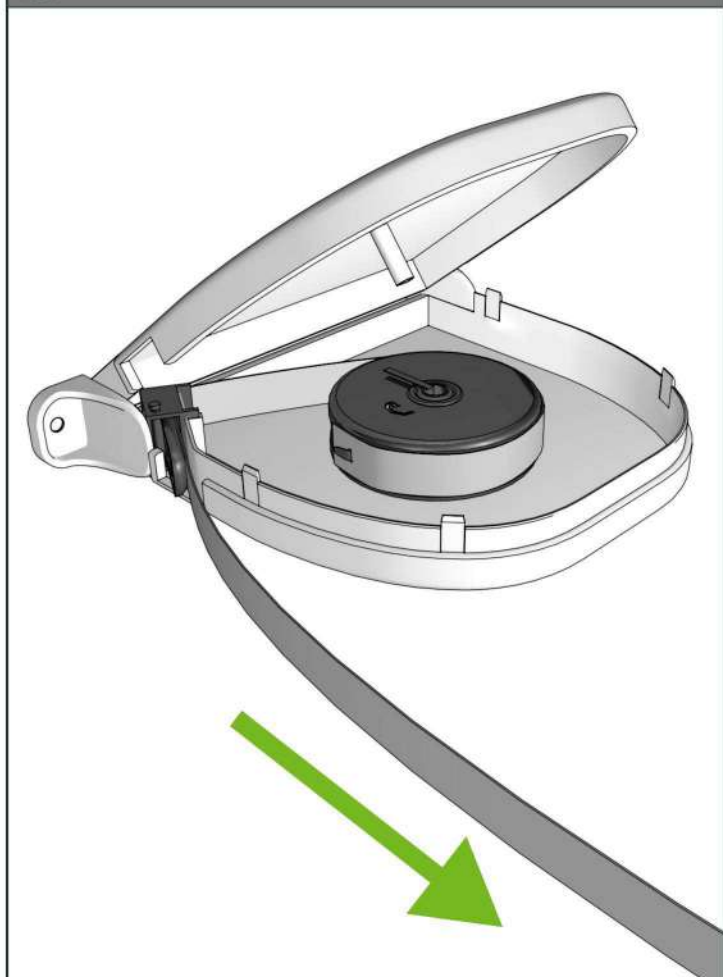
Face fit: Outward roller



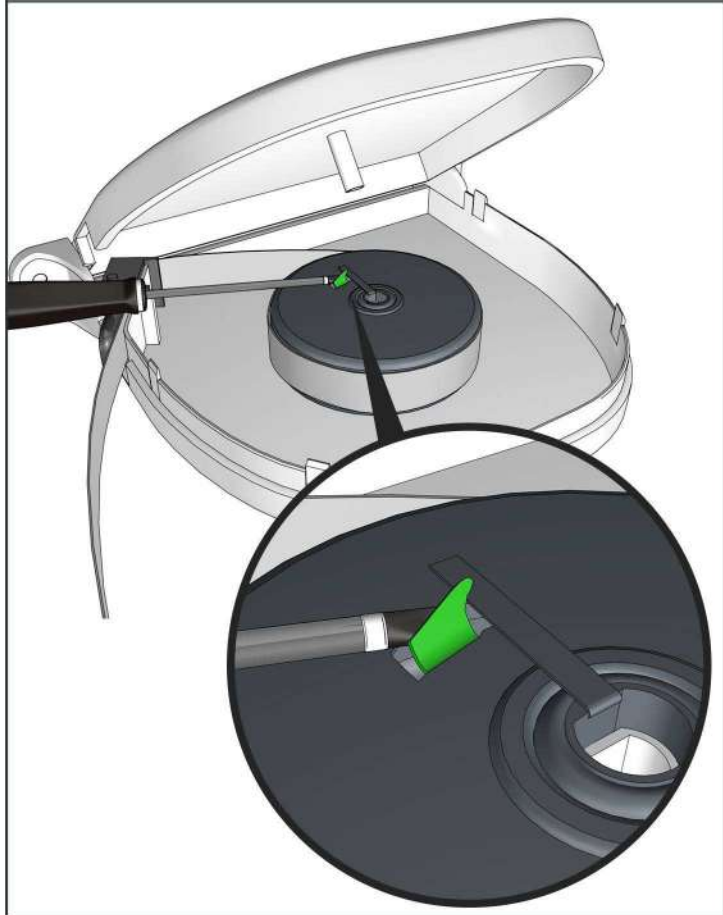
- 1** If controlling the shutter through a wall, it is necessary to disconnect the strap from the box. To do this, open the coiler box.



- 2** Pull the strap out as far as possible.



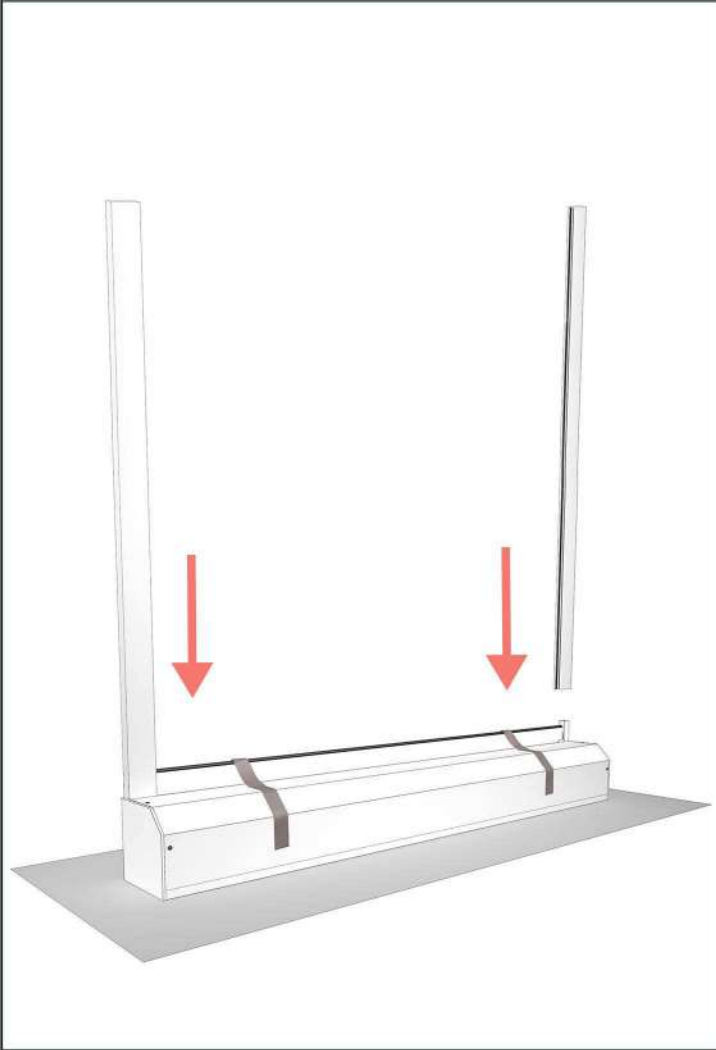
- 3** While keeping the strap pulled tight, use a flathead screwdriver to lift the metal retainer tab.



- 4** Disconnect the strap from its notch and remove the strap from the box.



- 5** Slot the guides onto the upturned roller shutter box. Hold the curtain in place with masking tape.



- 6** Before installation, please double check your dimensions correspond to your roller shutter.

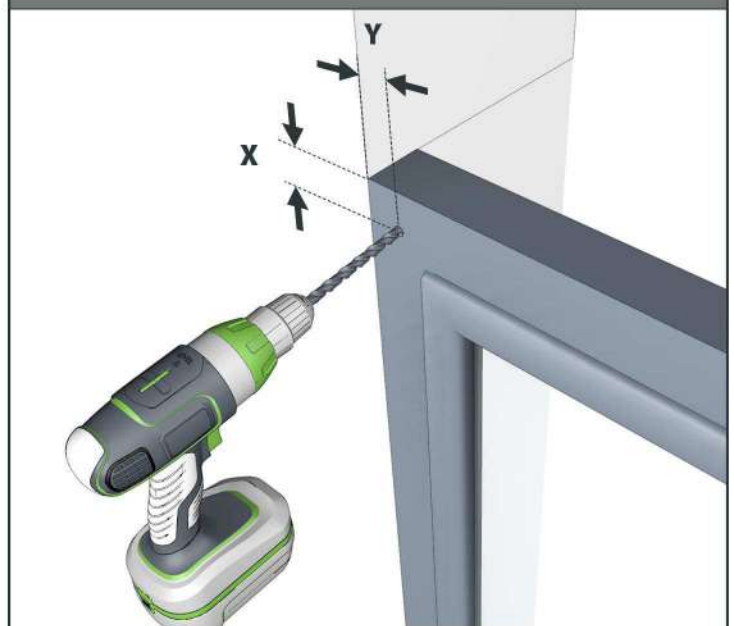
If you have purchased a made to measure roller shutter from us and the dimensions aren't what you ordered - please get in touch.



- 7** Measure X and Y dimensions for control output on roller box and transfer to window frame - must be set at least 30mm in. For face fit installations adapt the same principle to the wall.



- 8** Carefully drill according to your control type and placement. For face fit installations adapt the same principle to the wall.



Drill bit size to use

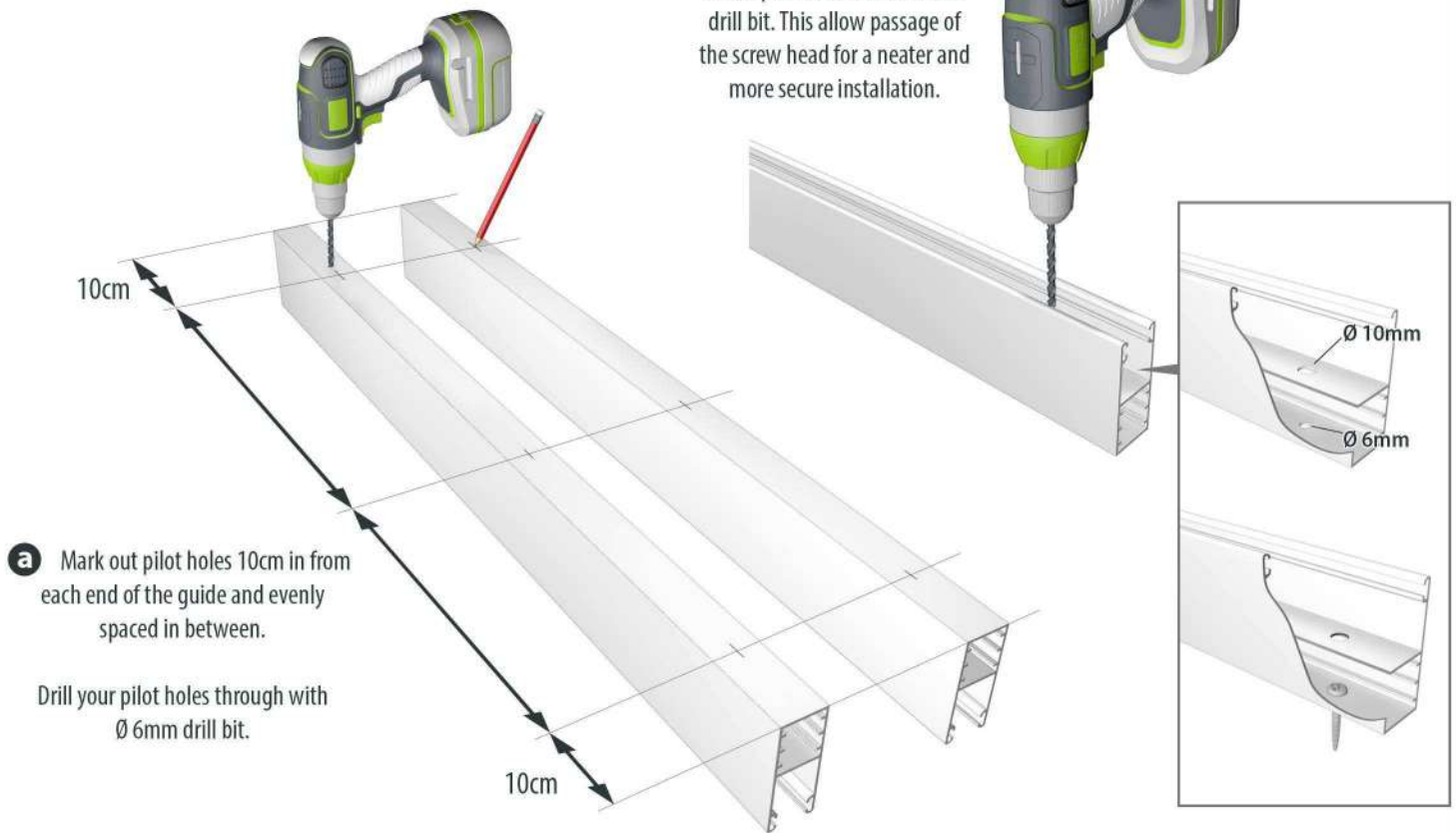
Strap

Ø 10 mm

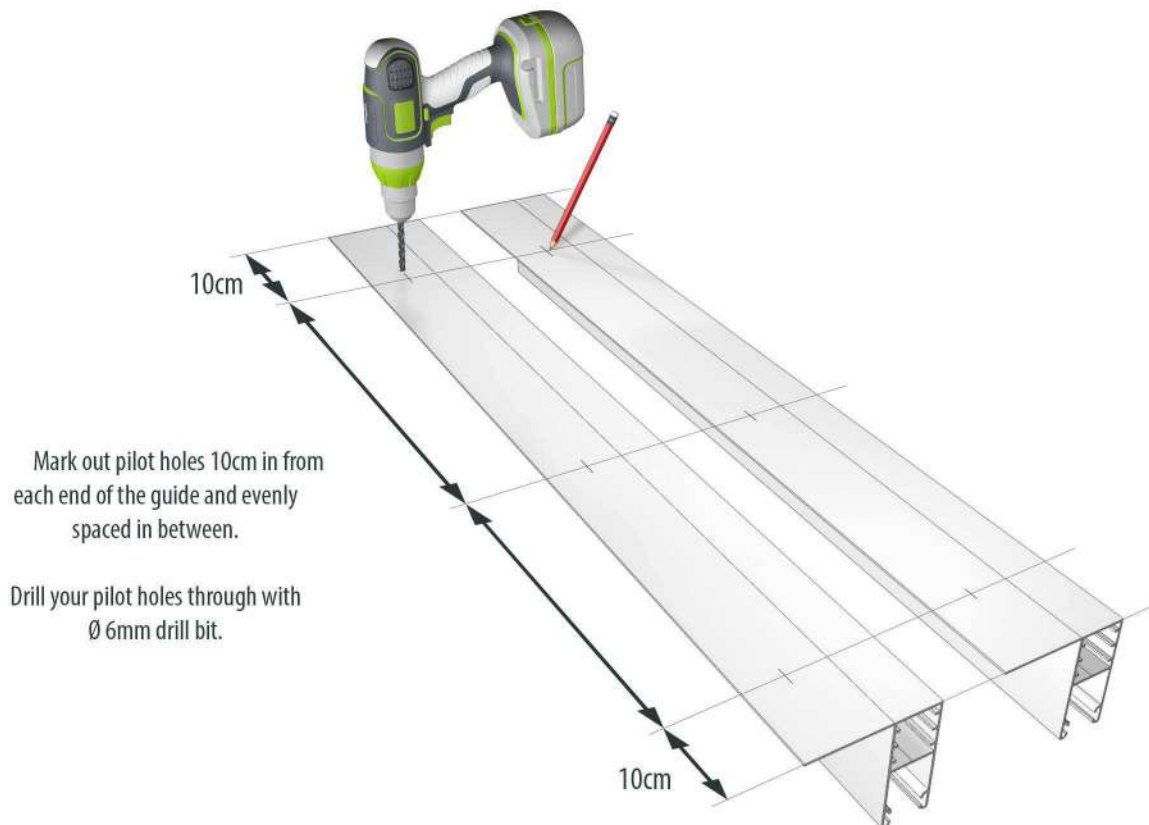


How to drill the "U" guides for recess fitting :

b Flip the guides and drill the inside pilot hole with $\varnothing 10\text{mm}$ drill bit. This allow passage of the screw head for a neater and more secure installation.



How to drill the "L" guides for recess fitting :



How to drill the guides for face fitting :

- b** Flip the guides and drill the outside pilot hole with $\varnothing 10\text{mm}$ drill bit. This allow passage of the screw head for a neater installation.

- a** Mark out pilot holes 10cm in from each end of the guide and evenly spaced in between.

Drill your pilot holes through with $\varnothing 6\text{mm}$ drill bit.

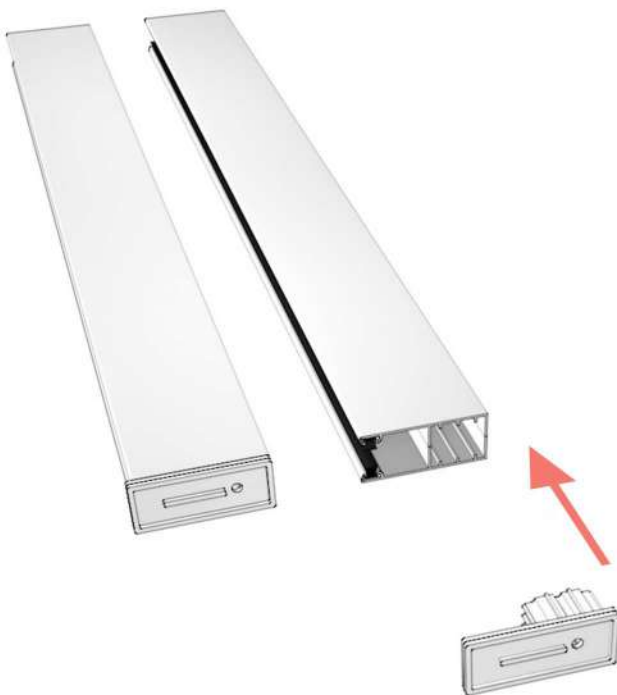
10cm

10cm

$\varnothing 10\text{mm}$

$\varnothing 6\text{mm}$

- 10** For face fit installations only:
Fit end pieces into the bottom of the guides.



- 11** Slot the guides back into the box, with the previously drilled 6mm diameter pilot holes against the frame/wall. Put the complete shutter into position and adjust until levelled.

Once levelled mark out your guide fixing points for drilling.



12 Remove the shutter and drill pilot holes for your guide support screws.



13 If applicable, run the coiler strap through the previously drilled hole in the frame/wall and reposition the shutter.



14 Screw the shutter guides to their fixing points.

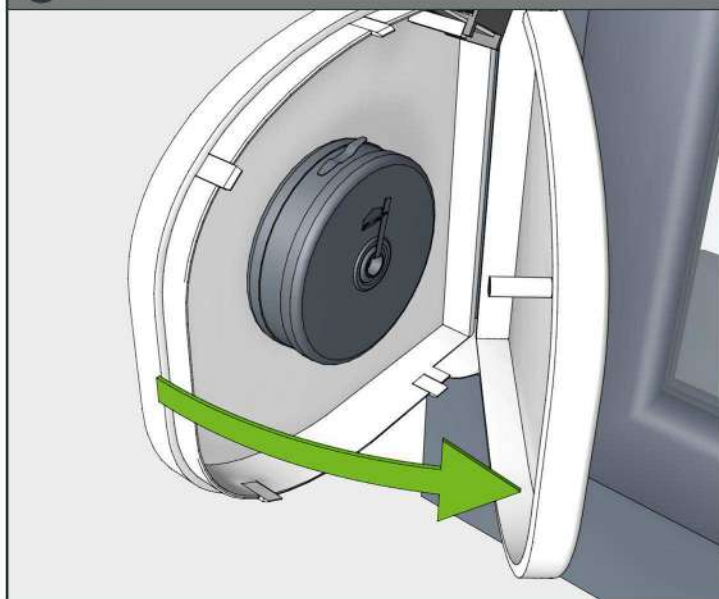


STRAP COILER SET UP

- 15** Depending on your installation, screw the coiler box to the wall, frame or guide track.



- 16** Open the coiler box.



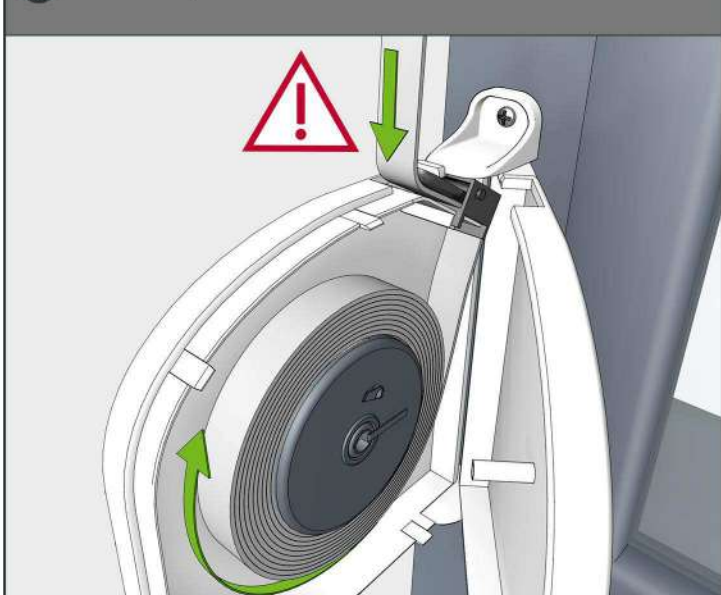
- 17** Retrieve the strap that was fed through the wall (if applicable). Fix the strap end to the spring tab (held by the retainer raised in step 3 p3).



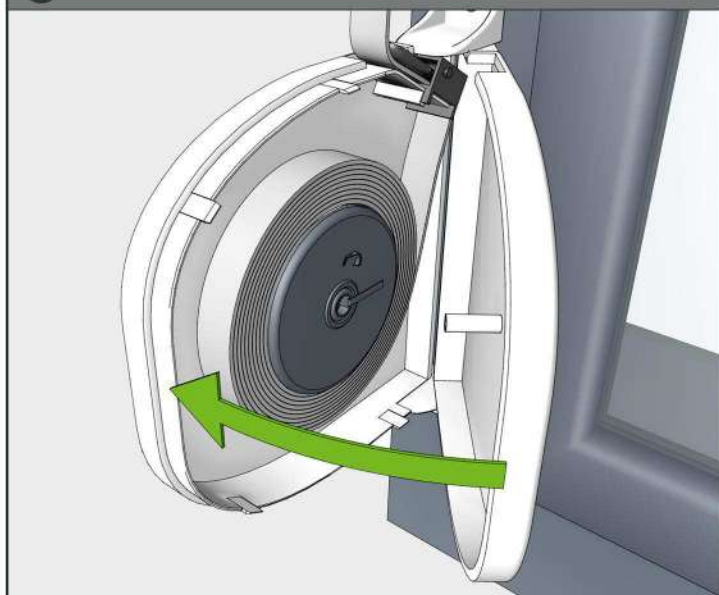
- 18** While firmly holding the strap, lower the spring retainer tab.



- 19** Let the strap coil around the wheel until taut.



- 20** Close the coiler box.



FINISHING

Apply a silicon seal around your join to ensure complete insulation.

If you'd like to match your silicon colour to your shutter - go to <http://avosdim.com/uk> and find your product or get in touch to find out the specific RAL.



If you have a larger gap to fill - try a foam seal or similar.



For external installations - place the screw cover caps onto the open holes.



Take off the masking tape.



Installation FAQ

My shutter jams on it's way down or up:

A shutter slat may have moved to one side - check the alignment and try again.

Why aren't my shutter guides pre-drilled?

We leave the drilling to you as each configuration is different - please refer to the installation manual.

Helpful Tips

In the event of a storm, open or close the roller shutter completely, the intermediate positions creating a wind pocket.